

FAÇADESHIELD® UV

user guide

FAÇADESHIELD UV DETAILS

Façadeshield UV is designed specifically to ensure the building fabric maintains good water resistance and breathability behind open jointed cladding.

Façadeshield UV is a non-woven breathable membrane that combines exceptional water resistance and UV resistance with an aesthetically pleasing dark colour to provide a “shadow” appearance behind open rainscreen façades.

Façadeshield UV enhances the airtightness of the building whilst reducing the risk of condensation due to its high vapour permeable yet airtight properties. The product comes with the reassurance of a CE Mark showing the product's fitness for purpose in the façade application, making it the obvious choice behind open jointed cladding.

To protect the membrane from mechanical damage, the joint openings in the façade covering must be less than 30% of the area and maximum 30mm wide. In the case of larger openings, please contact our Technical Department for support.

Installation of Façadeshield UV

Façadeshield UV is designed to be installed by a competent builder or general contractor experienced with this type of product, and is installed in the same manner as traditional breather membranes.

Unroll Façadeshield UV membrane and fix directly to the substrate. Ensure the vertical

laps of Façadeshield UV are staggered. If using over timber, the location of the vertical studs should be highlighted on the membrane.

Façadeshield UV must be secured with austenitic stainless fixings that are appropriate to the substrate i.e.: nails or staples for timber kits, washers for fibrous insulations. Fixings should be placed at no more than 500mm intervals.

Lap Façadeshield UV by 100mm horizontally and 150mm vertically. At external corners return the membrane by 300mm (Fig 1). Upper layers should overlap lower layers to shed water away from the sheathing. Detail Façadeshield UV into openings to ensure the return provides sufficient lap and weathering for the proposed framing. Use Façade Tape to seal the corners (Fig 2). Lap Façadeshield UV at cavity barriers and trays by at least 100mm horizontally and 150mm vertically (Fig 3).

After Façadeshield UV is installed, seal laps, edges and around penetrations with Façade Tape to create an airtight seal. The membrane must be free from dust and grease before tape is applied. Use hand pressure or a roller to ensure a good bond. The acrylate adhesive is extremely resistant to ageing and does not contain resins or other additives that will cause the adhesive film to become brittle over time.

Battens / back ventilation must be provided between Façadeshield UV membrane and the external façade covering.

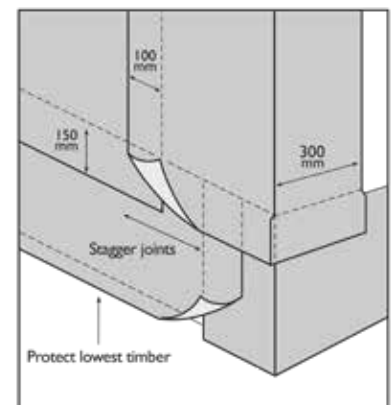


Fig 1

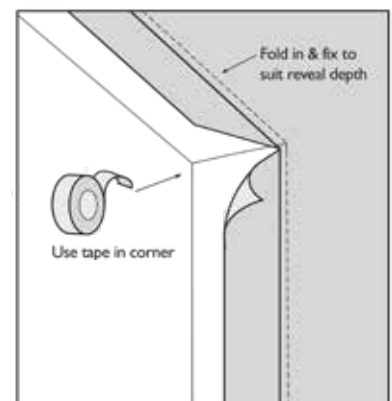


Fig 2

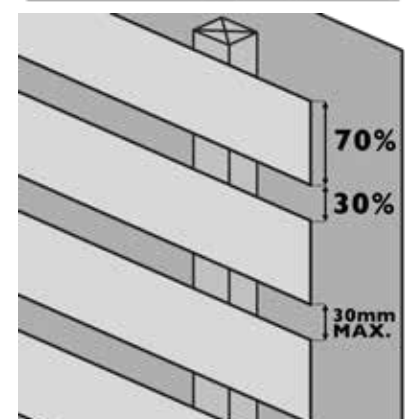


Fig 3

Dimensions:

Façadeshield UV

1.5m x 50m

Façade Tape

60mm x 25m

In the UK, given the mild weather conditions, a maximum exposure period of 12 months uncovered should be adhered to for Façadeshield UV. In cases of more extreme weather, this period should be reduced.

Repair

Care should be taken during installation to limit damage to the membrane. Damage to Façadeshield UV can be repaired prior to the installation of the external cladding by laying another sheet over the damaged area and sealing with Façade Tape. Care should be taken to ensure water is shed away from the building.

Health and Safety

Care should be taken in handling materials at height, in particular ensure that manual handling regulations are not exceeded. Before work commences a method statement and risk assessment requires to be prepared.

Standards and Guidance

Weather tightness: The appropriate national requirements state that walls should resist the penetration of rain from outside. The properties of Façadeshield UV ensure that, when installed as recommended, a wall will comply with the following regulations:

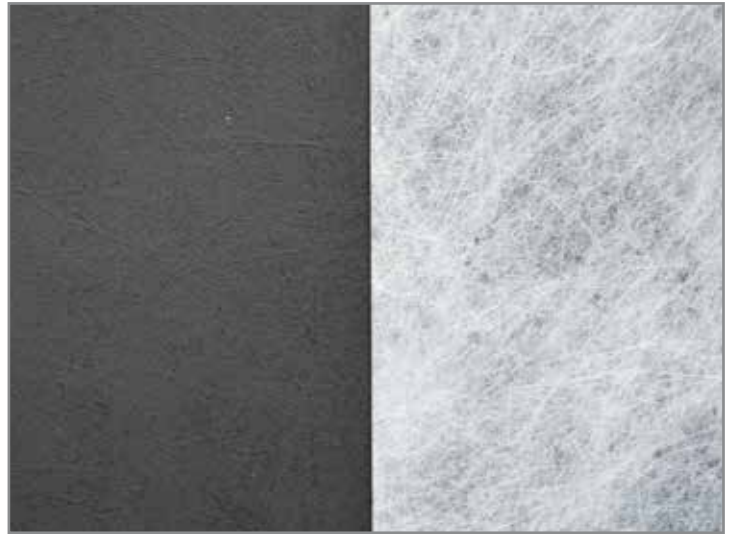
- Approved Document C, Section 5 (England);
- Approved Document C, Section 5 (Wales (E&W));
- Scottish Technical Handbook 3, Section 3.10 (Domestic and Non-domestic);
- Technical Booklet C, Section 6 (Northern Ireland)

Condensation risk: BS5250:2021 Moisture Management in Buildings - Code of Practice, is the primary reference for the installation of membranes in walls and roofs. It is referenced extensively within the building regulations.

The standards set by the NHBC and the guidance for the construction of timber framed houses issued by TRADA, both specify the inclusion of a breather membrane outside the sheathing of timber framed walls.

Disclaimer

The contents of this installation guide are provided by A. Proctor Group Limited (APG) in good faith for general information purposes only. The statements and data contained in this guide are not specific technical recommendations as to any particular design or application. APG give no warranty and accept no liability for its contents and the ultimate determination as to product suitability is the sole responsibility of the installer or end user. APG strongly recommends following the installation guidelines and the relevant Codes of Practice which are correct at the time of publication and results may vary depending on the particular design/and or application.



Façadeshield UV: front & reverse sides



Façade Tape



November 2021

TECHNICAL ADVICE

The A. Proctor Group has a dedicated Technical Department which can deal with installation details, view drawings for approval and give specialist advice on the correct use of the A. Proctor Group products.

Telephone: +44 (0)1250 872 261
Facimile: +44 (0)1250 872 727
email: contact@proctorgroup.com
www.proctorgroup.com

ACOUSTIC SOLUTIONS
CONDENSATION CONTROL
GROUND GAS PROTECTION
THERMAL INSULATION