

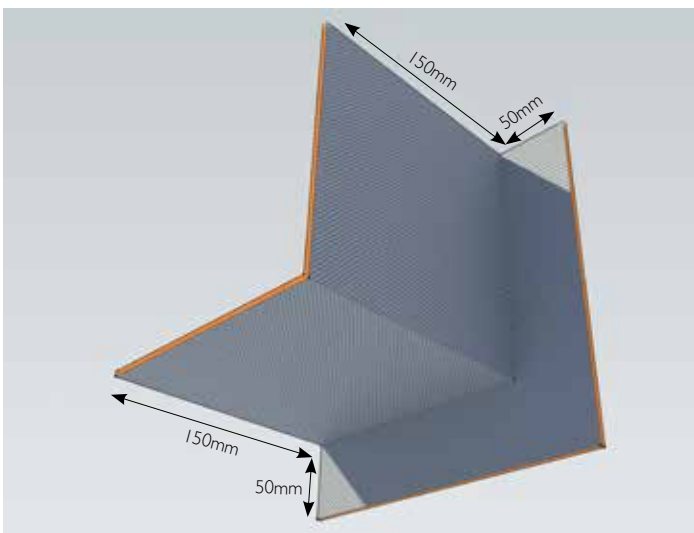
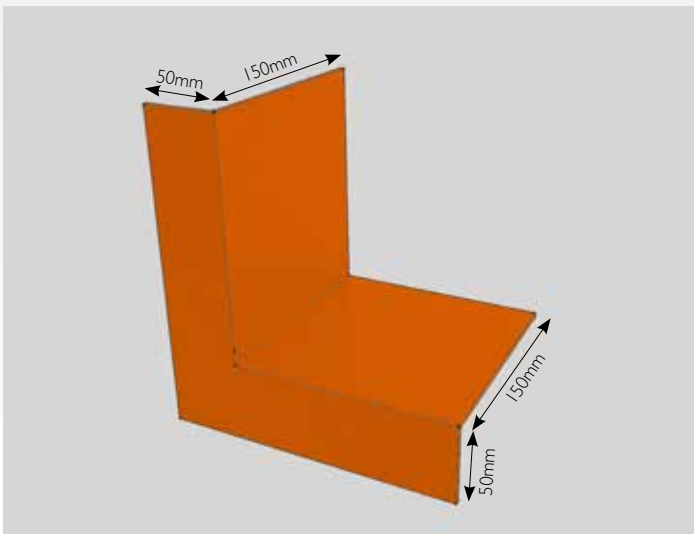
Wraptite Corners

AIRTIGHTNESS

DESCRIPTION

Wraptite Preformed Airtight Corners have been developed for the difficult areas around doors and windows where maintaining good air barrier continuity is difficult and time consuming. Wraptite corners' simple design and installation process makes sealing openings against air leakage simple, just peel off the release liner, stick the corners in place, then install the Wraptite membrane as normal. This helps achieve the best possible results in the shortest possible time.

Once installed, the corner sections provide the same vapour permeable air barrier performance as the Wraptite membrane itself, ensuring air leakage and water ingress are minimised without trapping construction moisture or causing condensation.



Download a brochure from
our website...

www.proctorgroup.com

contact@proctorgroup.com | +44 (0) 1250 872261

Revised June 2017

