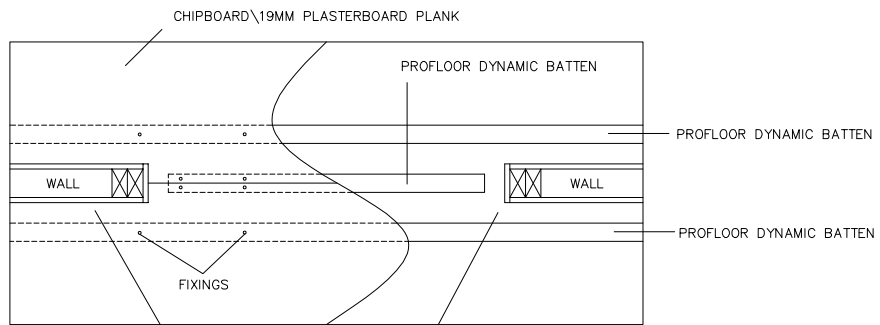
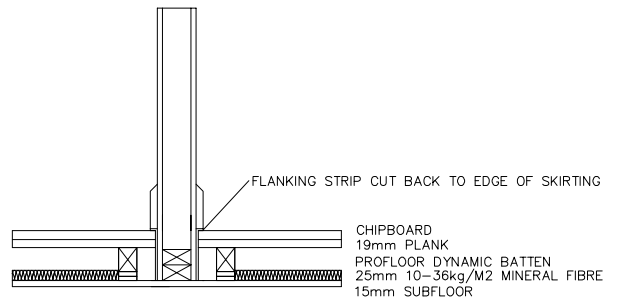
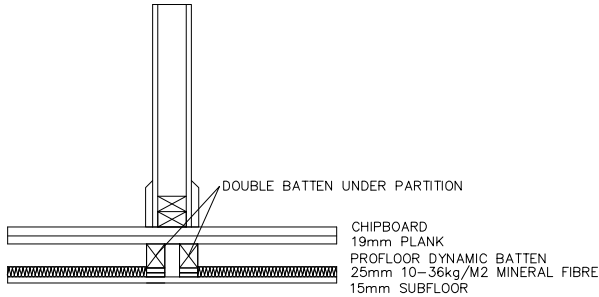


CHIPBOARD  
19mm PLANK  
PROFLOOR DYNAMIC BATTEN  
25mm 10-36kg/M2 MINERAL FIBRE  
15mm SUBFLOOR

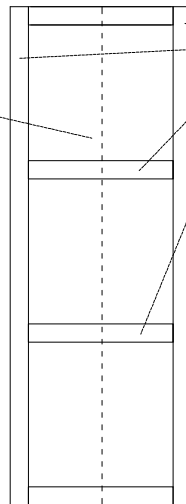
TIMBER JOISTS  
100mm 10-36kg/M2 MINERAL FIBRE BETWEEN

RESILIENT BAR  
2x 15mm PLASTERBOARD



FLANKING STRIP AT ALL WALL PERIMETERS

LINE OF NONLOADBEARING PARTITION



PROFLOOR DYNAMIC BATTEN IN LADDER EFFECT  
BELOW NONLOADBEARING PARTITION  
CENTRES TO SUIT CHIPBOARD