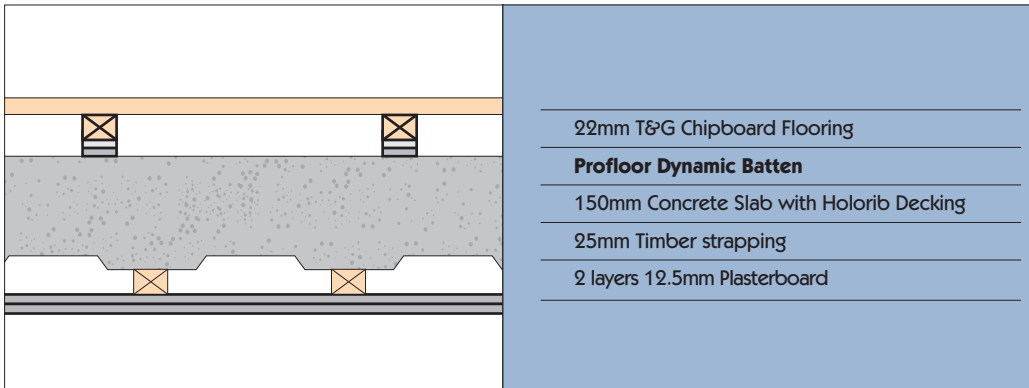


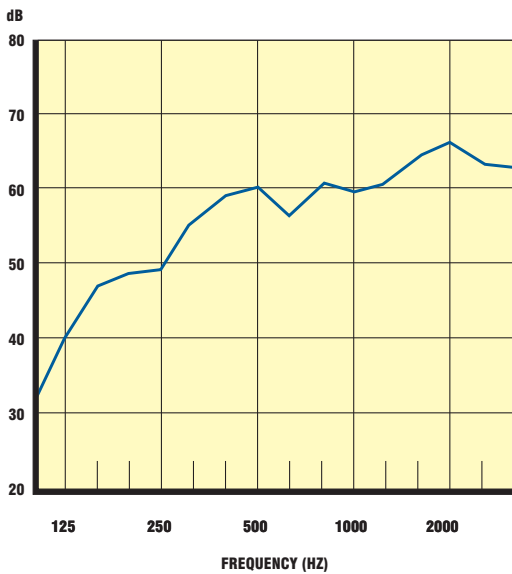
PROFLOOR DYNAMIC BATTEN - ON SITE TEST

Solid Concrete Slab with Permanent Shuttering
(Performance Substantiation Report RDB 960004)

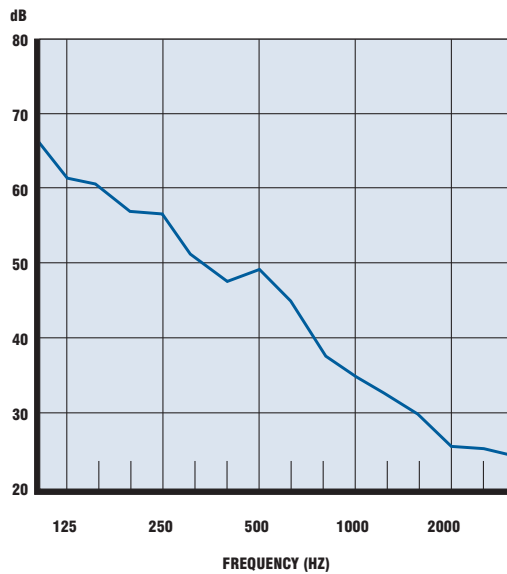
ap05460-BC1-V1



Airborne Sound $D_{nT,w}$



Impact Sound $L'_{nT,w}$



Results Requirement

$D_{nT,w} = 58\text{dB}$
 $D_{nT,w} + \text{Ctr} = 49\text{dB}$

**England and Wales
New Build**
Minimum 45dB
 $D_{nT,w} + \text{Ctr}$
Conversions
Minimum 43dB
 $D_{nT,w} + \text{Ctr}$

**Scotland
New Build and
Conversions**
Minimum 52dB $D_{nT,w}$
(mean)

Results Requirement

$L'_{nT,w} = 52\text{dB}$

**England and Wales
New Build**
Maximum 62dB $L'_{nT,w}$
Conversions
Maximum 64dB $L'_{nT,w}$

**Scotland
New Build and
Conversions**
Maximum 61dB $L'_{nT,w}$
(mean)

Results Calculated in Accordance with BS EN ISO 717:1997

