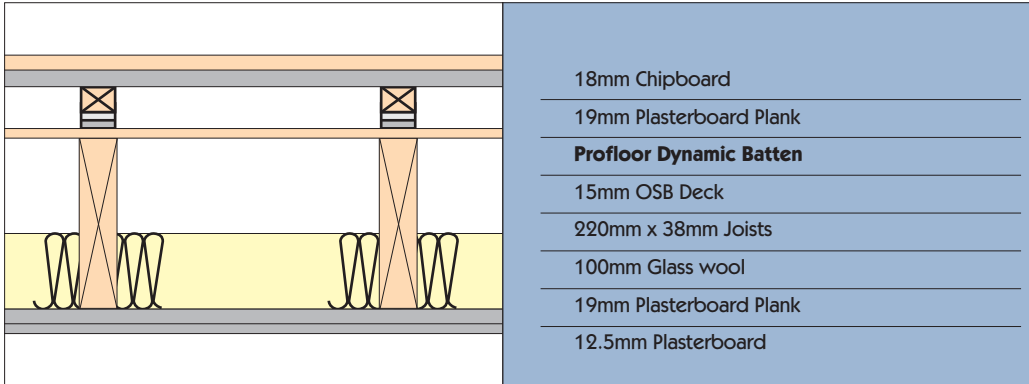


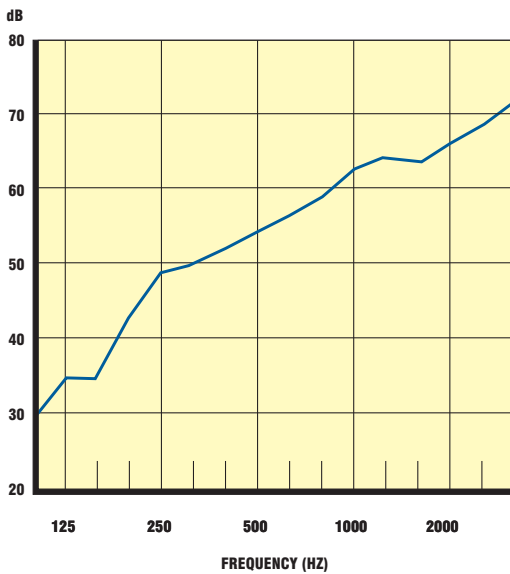
## PROFLOOR DYNAMIC BATTEN - ON SITE TEST

### Platform Floor with Absorbent Material (Performance Substantiation Report ADB 980002)

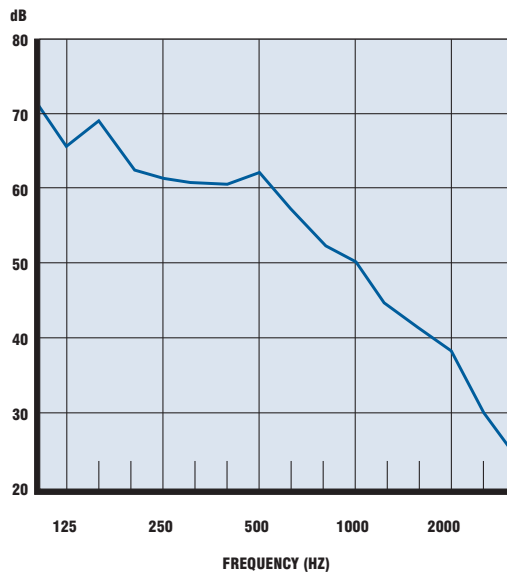
ap05460-BC4-V1



#### Airborne Sound $D_{nT,w}$



#### Impact Sound $L'_{nT,w}$



#### Results

$D_{nT,w} = 55\text{dB}$   
 $D_{nT,w} + \text{Ctr} = 44\text{dB}$

#### Requirement

**England and Wales  
New Build**  
 Minimum 45dB  
 $D_{nT,w} + \text{Ctr}$   
**Conversions**  
 Minimum 43dB  
 $D_{nT,w} + \text{Ctr}$

**Scotland  
New Build and  
Conversions**  
 Minimum 52dB  $D_{nT,w}$   
 (mean)

#### Results

$L'_{nT,w} = 59\text{dB}$

#### Requirement

**England and Wales  
New Build**  
 Maximum 62dB  $L'_{nT,w}$   
**Conversions**  
 Maximum 64dB  $L'_{nT,w}$

**Scotland  
New Build and  
Conversions**  
 Maximum 61dB  $L'_{nT,w}$   
 (mean)

Results Calculated in Accordance with BS EN ISO 717:1997

**NOTE:** To further improve this construction, thought should be given to use of

- A resiliently mounted ceiling,
- A deeper batten,
- An engineered floor joist.

SOUNDPROOF

