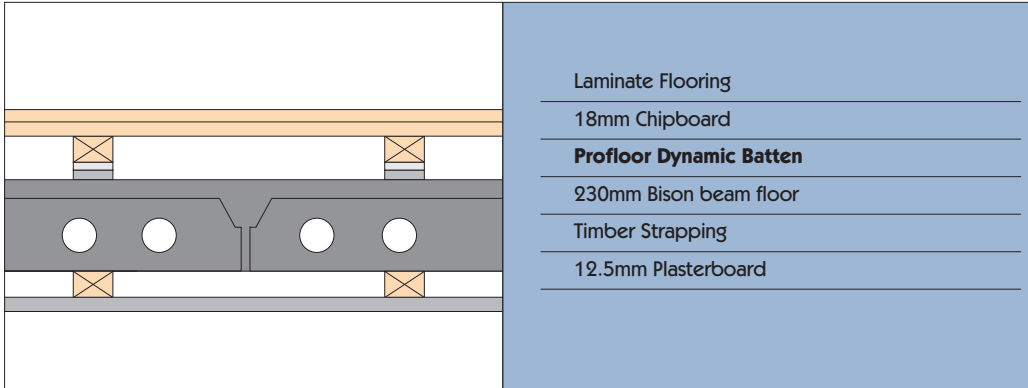


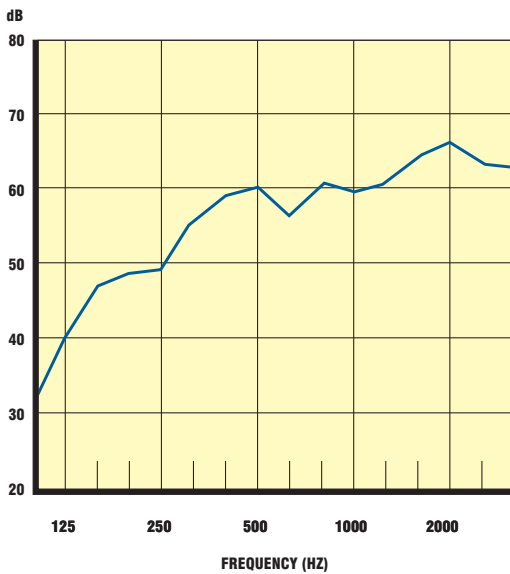
## PROFLOOR DYNAMIC BATTEN - ON SITE TEST

### Concrete Planks (Solid or Hollow) ( Performance Substantiation Report ADB 990005)

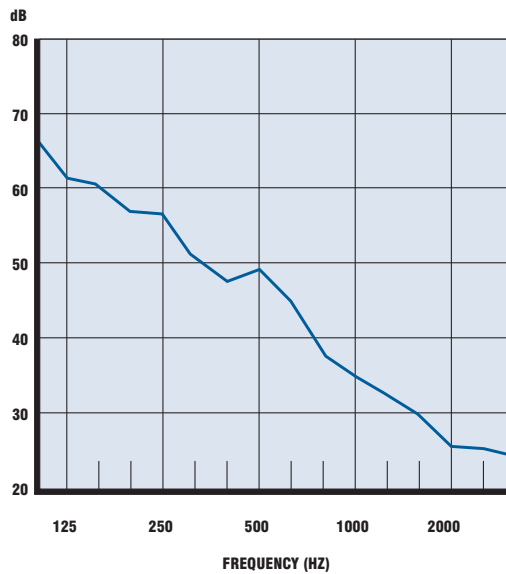
ap05460-BC2-V1



#### Airborne Sound $DnT,w$



#### Impact Sound $L'nT,w$



#### Results

$DnT,w = 56\text{dB}$   
 $DnT,w + Ctr = 47\text{dB}$

#### Requirement

**England and Wales  
New Build**  
 Minimum 45dB  
 $DnT,w + Ctr$   
**Conversions**  
 Minimum 43dB  
 $DnT,w + Ctr$

**Scotland  
New Build and  
Conversions**  
 Minimum 52dB  $DnT,w$   
 (mean)

#### Results

$L'nT,w = 55\text{dB}$

#### Requirement

**England and Wales  
New Build**  
 Maximum 62dB  $L'nT,w$   
**Conversions**  
 Maximum 64dB  $L'nT,w$

**Scotland  
New Build and  
Conversions**  
 Maximum 61dB  $L'nT,w$   
 (mean)

Results Calculated in Accordance with BS EN ISO 717:1997

SILENT FLOOR

